

**For Your Records and
Warranty Assistance**

For reference, also attach your receipt or a copy
of your receipt to the manual.

Model Name

Model No.

Date Purchased

Where Purchased

Type 3 Models

Owner's Guide and Installation Manual

English

Español

Form# 45066-01
20100303
©2010 Hunter Fan Co.

Hunter
SINCE 1886

Welcome

Your new Hunter® ceiling fan is an addition to your home or office that will provide comfort and performance for many years. This installation and operation manual gives you complete instructions for installing and operating your fan.

We are proud of our work. We appreciate the opportunity to supply you with the best ceiling fan available anywhere in the world.

Before installing your fan, for your records and warranty assistance, record information from the carton and Hunter nameplate label (located on the top of the fan motor housing).

Table Of Contents

Preparing the Fan Site	3
1 • Getting Ready	6
2 • Installing the Hanger Bracket	7
3 • Assembling the Top Housing	8
4 • Assembling and Hanging the Fan ...	9
5 • Setting the Remote Wall Control and Receiver	11
6 • Wiring the Fan	12
7 • Installing the Canopy and Canopy Trim Ring	13
8 • Assembling the Blades	14
9 • Completing Your Installation With a Light Fixture	15
10 • Installing the Wall Control	18
11 • Operating the Remote Control and Mounting the Holder	19
12 • Operating and Cleaning Your Ceiling Fan	20
13 • Troubleshooting	21

Cautions and Warnings

- **READ THIS ENTIRE MANUAL CAREFULLY BEFORE BEGINNING INSTALLATION. SAVE THESE INSTRUCTIONS.**
- Use only Hunter replacement parts.
- To reduce the risk of personal injury, attach the fan directly to the support structure of the building according to these instructions, and use only the hardware supplied.
- To avoid possible electrical shock, before installing your fan, disconnect the power by turning off the circuit breakers to the outlet box and associated wall switch location. If you cannot lock the circuit breakers in the off position, securely fasten a prominent warning device, such as a tag, to the service panel.
- All wiring must be in accordance with national and local electrical codes and ANSI/NFPA 70. If you are unfamiliar with wiring, use a qualified electrician.
- To reduce the risk of personal injury, do not bend the blade attachment system when installing, balancing, or cleaning the fan. Never insert foreign objects between rotating fan blades.
- To reduce the risk of fire, electrical shock, or motor damage, do not use a solid-state speed control with this fan. Use only Hunter speed controls.

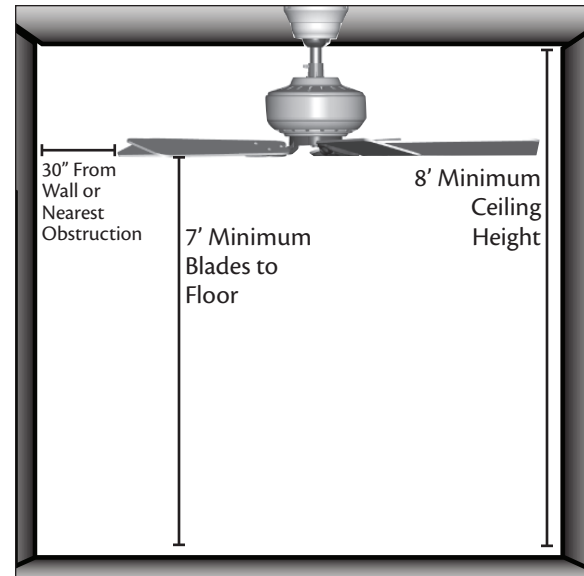
Preparing the Fan Site

Step 1 - Choose the Fan Site

Proper ceiling fan location and attachment to the building structure are essential for safety, reliable operation, maximum efficiency, and energy savings.

Choose a fan site where:

- No object can come in contact with the rotating fan blades during normal operation.
- The fan blades are at least 7 feet above the floor and the ceiling is at least 8 feet high.
- The fan blades have no obstructions to airflow, such as walls or posts, within 30 inches of the fan blade tips.
- The fan is directly below a joist or support brace that will hold the outlet box and the full weight of the fan.



Checklist for Existing Fan Site

If you want to use an existing fan site, complete the following checklist to determine if the site is acceptable and safe for your new Hunter fan. If you cannot check off every item, prepare a new fan site as described on this page.

Fan Support System

- Fan attaches directly to building structure.
- Fan support system will hold full weight of the fan and light kit.

Ceiling Hole

- The outlet box clearance hole is directly below the joist or support brace.

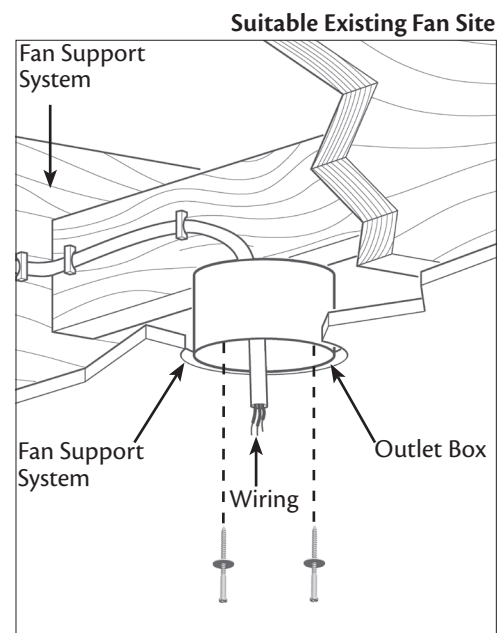
Outlet Box

- The outlet box is an UL-approved octagonal 4" x 1-1/2" outlet box (or as specified by the support brace manufacturer).
- The outlet box is secured to the joist or support brace by wood screws and washers through the inner holes of outlet box.
- The outer holes of the outlet box are aligned with joist or support brace.
- The bottom of the outlet box is recessed a minimum of 1/16" into ceiling.

Wiring

- The electrical cable is secured to outlet box by an approved connector.
- Six inches of lead wires extend from outlet box.

If your existing fan site is suitable, skip ahead to Section 2 • Installing the Ceiling Plate.



Preparing the Fan Site (continued)

Step 2 - Cut the Ceiling Hole

- 2-1. Locate the site for the ceiling hole directly below the joist or support brace that will hold the outlet box and fan.
- 2-2. Cut a 4" diameter hole through the drywall or plaster of the ceiling. You will use the hole to install the support brace and outlet box.

Step 3 - Install a Support Brace, If Necessary

Determine if there is a ceiling joist directly above the ceiling hole. If the joist is there, determine if it is positioned to allow you to recess the outlet box a minimum of 1/16" into the ceiling. If NOT, install a support brace as follows:

- 3-1. Attach a 2" x 4" support brace between two joists. Position it to allow you to recess the bottom of the outlet box a minimum of 1/16" into the ceiling.
- 3-2. Check the support brace to ensure it will support the full weight of the fan and light kit.

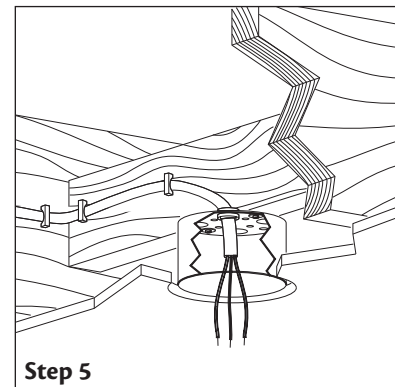
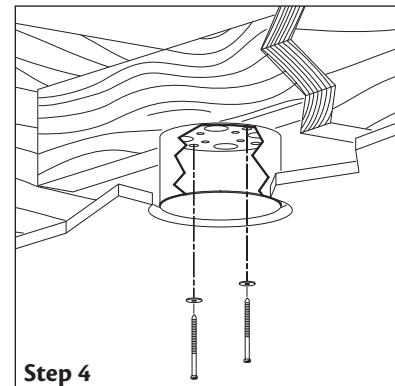
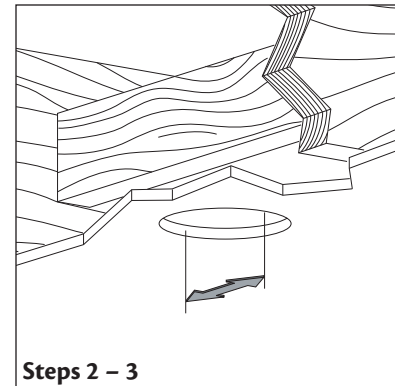
Step 4 - Install the Outlet Box

- 4-1. Obtain a UL-approved octagonal 4" x 1-1/2" outlet box, plus two #8 x 1-1/2" wood screws and washers, available from any hardware store or electrical supply house.
- 4-2. Orient the outlet box so that both the inner and outer holes in the box align with the joist or support brace.
- 4-3. Drill pilot holes no larger than the minor diameter of the wood screws (5/64") through the inner holes of the outlet box.
- 4-4. Attach the outlet box directly to the support brace or joist with two #8 x 1-1/2" wood screws and washers. The bottom of the outlet box must be recessed a minimum of 1/16" into the ceiling.

Step 5 - Prepare the Wiring

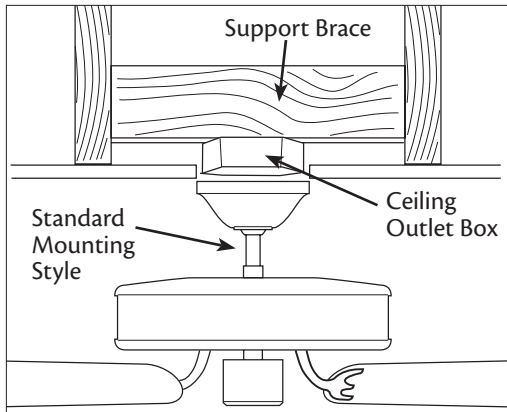
- 5-1. Make sure the circuit breakers to the fan supply line leads and associated wall switch location are turned off. If you cannot lock the circuit breakers in the off position, securely fasten a prominent warning device, such as a tag, to the service panel.
- 5-2. Thread the fan supply line through the outlet box so that the fan supply line extends at least 6" beyond the box.
- 5-3. Attach the fan supply line to the outlet box with an approved connector, available at any hardware store or electrical supply house.
- 5-4. Make certain the wiring meets all national and local standards and ANSI/NFPA 70.

You have now successfully prepared your ceiling fan site. For instructions to install your ceiling fan, go to your fan manual and continue with Section 2 • **Installing the Ceiling Plate.**

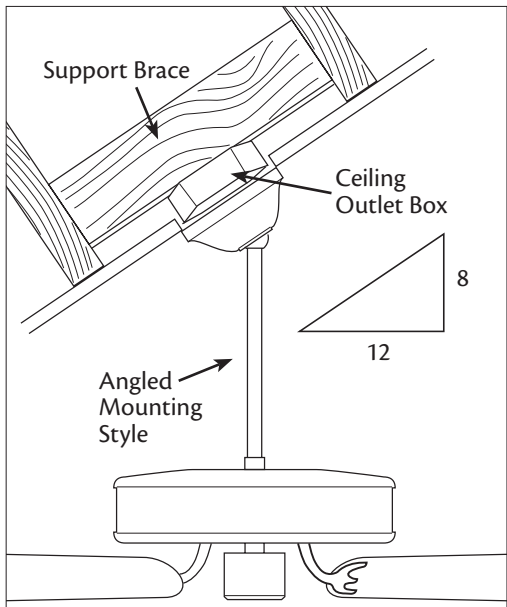


▲ CAUTION: All wiring must be in accordance with national and local electrical codes and ANSI/NFPA 70. If you are unfamiliar with wiring, use a qualified electrician.

Installer's Choice and Optional Accessories



Standard Mounting hangs from the ceiling by a downrod (included).



Angled Mounting recommended for a vaulted or angled ceiling

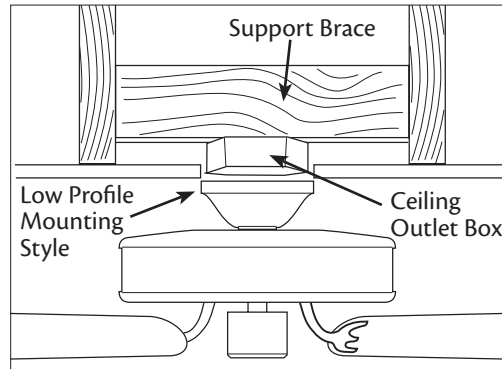
Understanding Mounting and Installer's Choice®

Hunter's patented 3-position mounting system provides you maximum installation flexibility and ease. You can install your Hunter fan in one of three ways, depending on ceiling height and your preference: Low Profile, Standard, or Angled mounting. The steps in this manual include instructions for all three Installer's Choice mounting methods.

Considering Optional Accessories

Consider using Hunter's optional accessories, including a wall-mounted or remote speed control. To install and use the accessories, follow the instructions included with each product. For quiet and optimum performance of your Hunter fan, use only Hunter speed controls.

For ceilings higher than 8 feet, you can purchase Hunter extension downrods. All Hunter fans use sturdy 3/4" diameter pipe to assure stability and wobble-free performance.



Low Profile Mounting fits close to the ceiling, recommended for ceilings less than 8 feet high

▲ CAUTION: To reduce the risk of personal injury, attach the fan directly to the support structure of the building according to these instructions, and use only the hardware supplied.

1 • Getting Ready

To install a ceiling fan, be sure you can do the following:

- Locate the ceiling joist or other suitable support in ceiling.
- Drill holes for and install wood screws.
- Identify and connect electrical wires.
- Lift 40 pounds.

If you need help installing the fan, your Hunter fan dealer can direct you to a licensed installer or electrician.

Gathering the Tools

You will need the following tools for installing the fan:

- Electric drill with 9/64" bit
- Standard screwdriver (magnetic tip recommended)
- Phillips-head screwdriver (magnetic tip recommended)
- Wrench or pliers
- Ladder (height dependent upon installation site)

Checking Your Fan Parts

Carefully unpack your fan to avoid damage to the fan parts. Refer to the included Parts Guide. Check for any shipping damage to the motor or fan blades. If any parts are missing or damaged, contact your Hunter dealer or call Hunter Technical Support Department at 888-830-1326. (In Canada, call 866-268-1936).

Preparing the Fan Site

Before you begin installing the fan, follow all the instructions in the pullout sheet called "Preparing the Fan Site." Proper ceiling fan location and attachment to the building structure are essential for safety, reliable operation, maximum efficiency, and energy savings.

Installing Multiple Fans?

If you are installing more than one fan, keep the fan blades and blade irons (if applicable) in sets, as they were shipped.

2 • Installing the Hanger Bracket

- 2-1. Drill two pilot holes into the wood support structure through the outermost holes in the outlet box. The pilot holes should be $9/64$ " in diameter.

Note: Your fan comes with four pre-installed neoprene noise isolators.

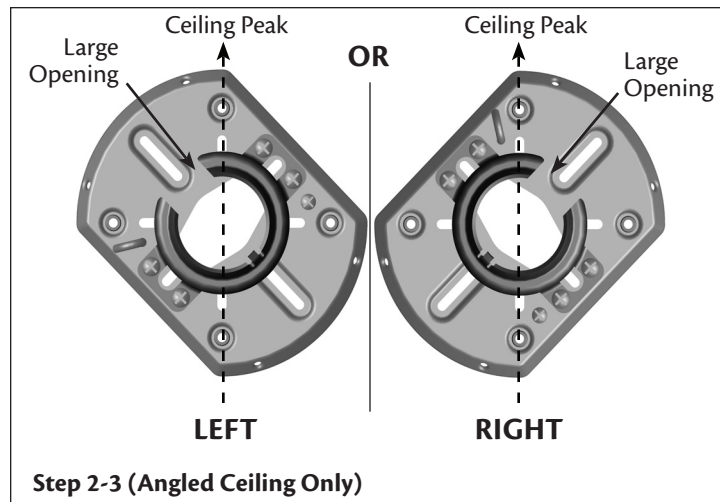
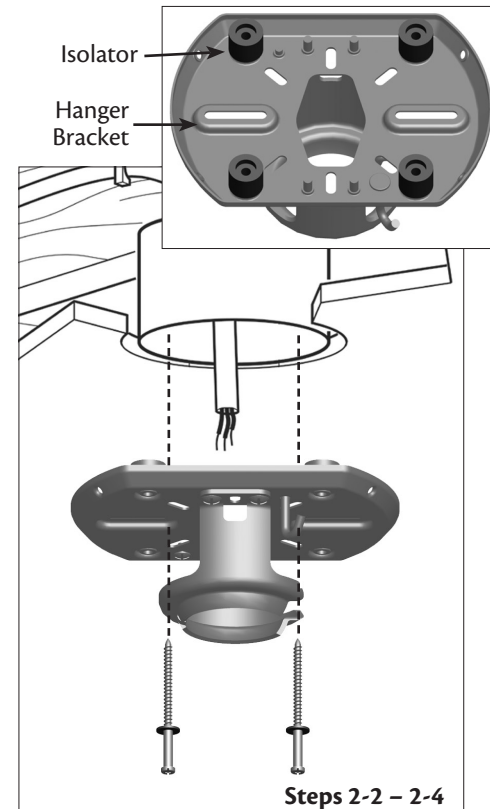
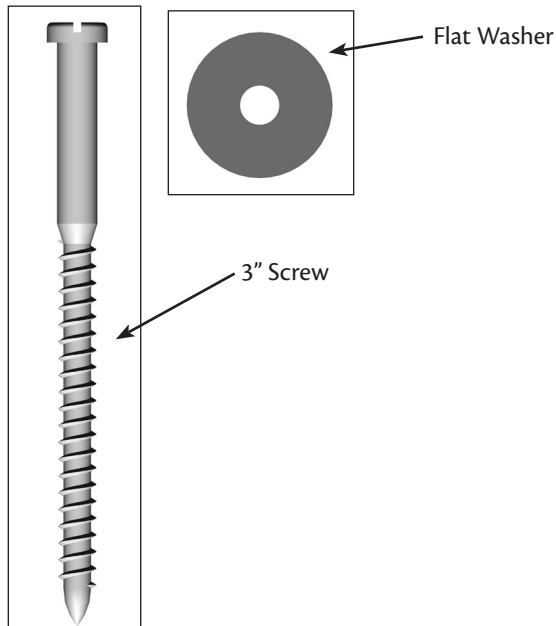
- 2-2. Thread the lead wires from the outlet box down through the hole in the middle of the hanger bracket.

- 2-3. Align the slotted holes in the hanger bracket with the pilot holes you drilled in the wood support structure. For proper alignment use slotted holes directly across from each other. If you are installing the fan on an **ANGLED** ceiling, be sure to orient the hanger bracket as shown in Illustration 2-3 (left or right view).

Note: The isolators should be flush against the ceiling.

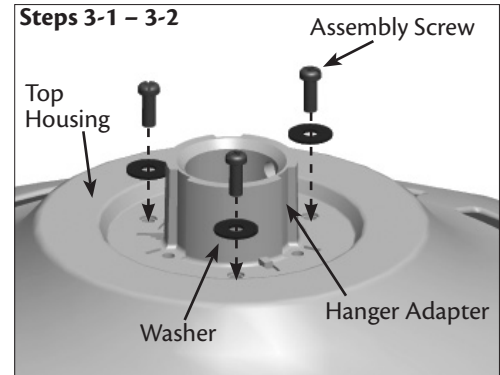
- 2-4. Place a flat washer on each of the two 3" screws and pass the screws through the slotted holes in the hanger bracket into the pilot holes you drilled.

Tighten the screws into the $9/64$ " pilot holes; do not use lubricants on the screws. Do not over tighten.



3 • Assembling the Top Housing

- 3-1. To assemble the housing to the hanger adapter, align the three raised tabs on the hanger adapter with the three narrow notches in the top housing. Make certain the housing sits flat on the adapter.
- 3-2. Install three (3) assembly screws and washers and tighten them securely.



4 • Assembling and Hanging the Fan

You can assemble your fan for **standard** or **angled** mounting as shown in steps 4-1 – 4-3. For **low profile** mounting (ceilings less than 8 feet high), go to steps 4-6 – 4-9 on the next page.

4-1. To assemble fan to hang down from a flat or angled ceiling, place the canopy and canopy trim ring around the adapter so that they rest on the fan assembly.

4-2. Feed the wires from the fan through the downrod.

Note: Make sure all the wires are on the same side of the metal dowel pin inside the dowrod.

4-3. Loosen the square head setscrew on the adapter to install the pipe and ball assembly. **Note:** When the pipe and ball assembly is fully installed, 2-3 threads on the pipe will still be visible; this is normal. Securely retighten the setscrew with a wrench or pliers.

⚠ CAUTION: The adapter has a special coating on the threads. Do not remove this coating; the coating prevents the downrod from unscrewing. Once assembled, do not remove the downrod.

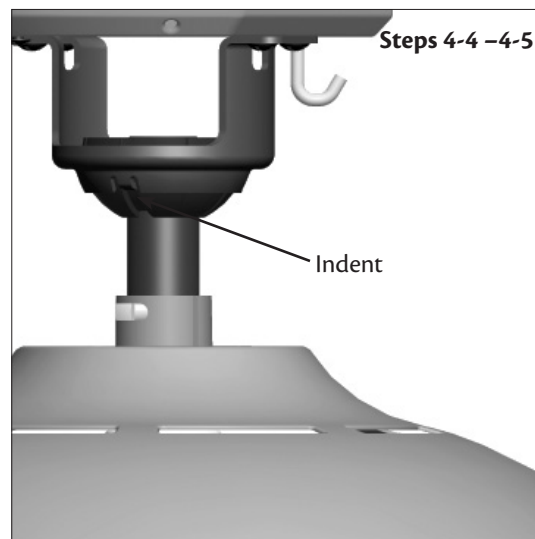
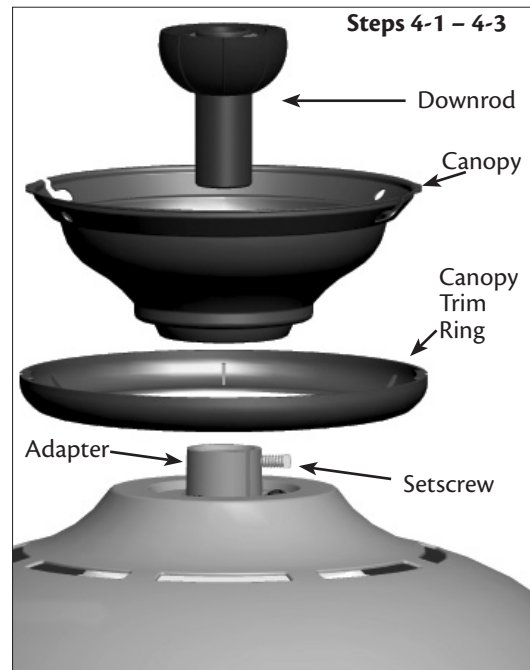
⚠ WARNING: Do not carry or lift fan by canopy.

4-4. Raise the fan and place the ball into the hanger bracket.

4-5. Align the notch on the ball with the indent in the hanger bracket. (Rotate the fan until you hear the notch pop into place.)

Go to **5 • Setting the remote wall control and receiver.**

⚠ WARNING: Fan may fall if not assembled as directed in these installation instructions.

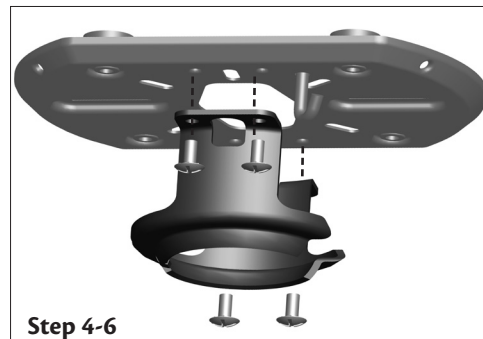


4 • Assembling and Hanging the Fan (Low Profile Only)

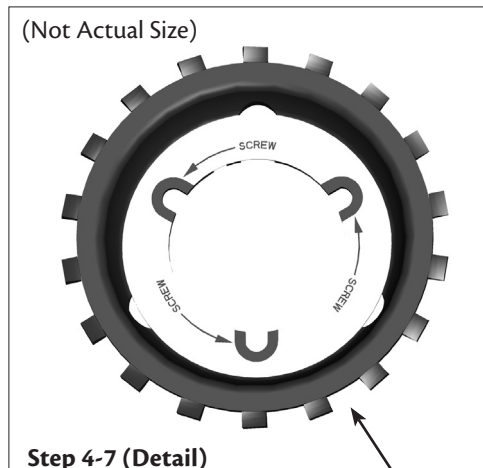
You can assemble your fan for **standard** or **angled** mounting as shown in steps 4-1 – 4-3 on the previous page. For **low profile** mounting (ceilings less than 8 feet high), see steps 4-6 – 4-10 on this page.

- 4-6. Remove the screws from the hanger ball bracket.
- 4-7. Place the low profile washer from the parts sack into the canopy.
- 4-8. Place the canopy trim ring and canopy with washer on top of the fan assembly.
- 4-9. Align the screw holes in the washer with the holes in the adapter. Assemble securely with three #8-32 x 3/4" screws.
- 4-10. Raise the fan and place the hook on the hanger bracket through the round hole in the rim of the canopy.

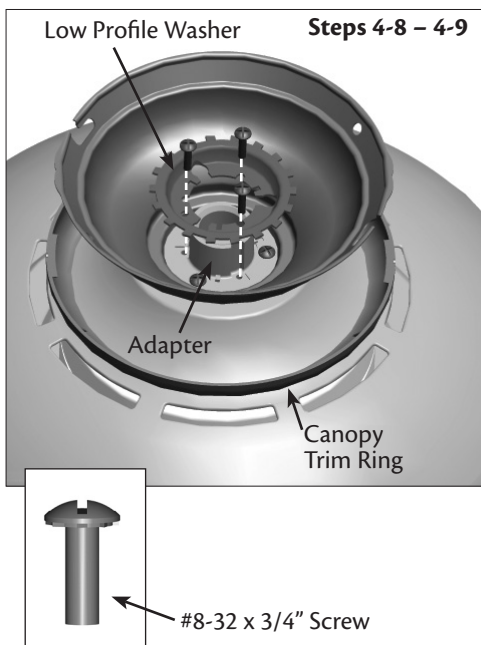
⚠ WARNING: Fan may fall if not assembled as directed in these installation instructions.



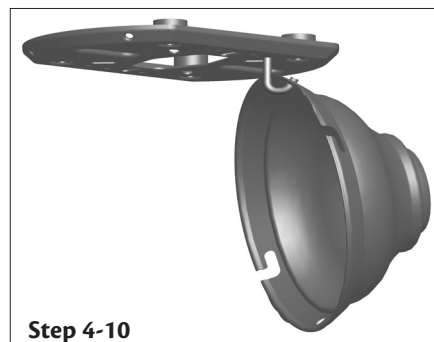
Step 4-6



Step 4-7 (Detail)



Low Profile Washer



Step 4-10

5 • Setting the Remote Wall Control and Receiver

Setting DIP switches

When two or more fans are located near each other, you may desire to have the receiver/transmitter for each fan set to a different code, so that the operation of one fan does not affect the operation of the other fans.

The DIP switches for the receiver are located on the flat surface of the receiver. The DIP switches for the transmitter are in the battery compartment.

- 5-1. Press inward on each side of the wall control to remove the face cover. Set the dip switches to match the dip switches in the receiver.

IMPORTANT! Before you change the DIP switch settings, make sure the battery is not connected to the transmitter.

Change the position of the DIP switches in the remote transmitter and the receiver. Make sure that the DIP switches match in the remote receiver and transmitter. If they don't match, the transmitter will not function.

- 5-2. Install a 12 Volt alkaline battery (A23, MN21, or equivalent).
5-3. Replace the face cover.

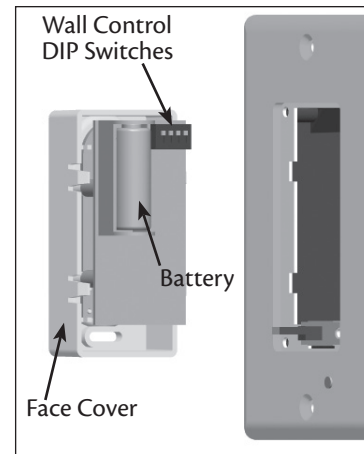
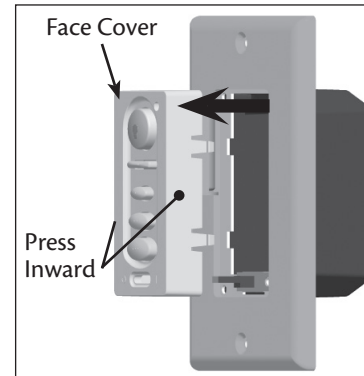
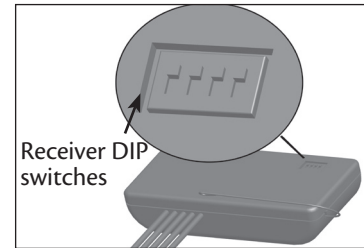
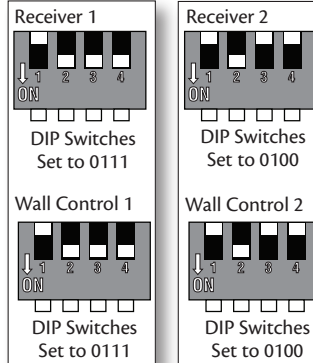
⚠ CAUTION: The remote control device complies with part 15 of the FCC rules. Changes or modifications not expressly approved by Hunter Fan Company could void your authority to operate this equipment.

Operation is subject to the following two conditions:

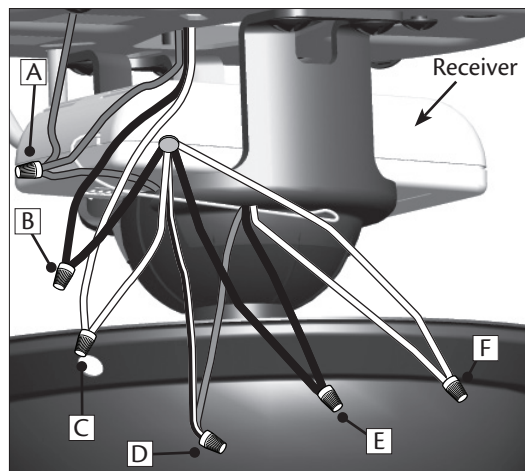
1. This device may not cause harmful interference.
2. This device must accept any interference received, including interference that may cause undesired operation.

⚠ WARNING: Use only the Hunter Fan speed control supplied with this fan.

Example DIP Switch Settings



6 • Wiring the Fan



Step 6-3

A • Ground/Green

Step 6-4

B • Ceiling Black

• Receiver Black: "LIVE IN"

C • Ceiling White

• Receiver White: "NEUTRAL IN"

Step 6-5

D • Fan Black/White

• Receiver Red: "LIGHT OUT"

E • Fan Black

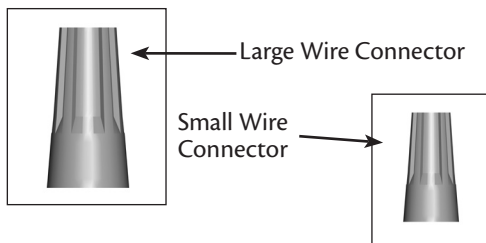
• Receiver Black: "FAN OUT"

F • Fan White

• Fan White

Steps 6-3 – 6-5

All wiring must be in accordance with national and local electrical codes and ANSI/NFPA 70. If you are unfamiliar with wiring, use a qualified electrician.



6-1. Before attempting installation, make sure the power is still off.

6-2. To connect the wires, hold the bare metal leads together and place a wire connector over them, then twist clockwise until tight. For all these connections use the wire connectors provided.

▲ CAUTION: Be sure no bare wire or wire strands are visible after making connections.

6-3. Using a large wire connector, connect the ground wire from the ceiling to the green wire from the ceiling plate and the green ground wire from the downrod.

6-4. Using the large wire connectors, connect the white wire and the black wire from the ceiling as follows:

- The white (common) power wire from the ceiling to the white wire from the receiver (marked on red tag "NEUTRAL IN")
- The black power wire from the ceiling to the black wire from the receiver (marked on red tag "LIVE IN")

6-5. Using the small wire connectors, connect the wires from the fan as follows:

- The black/white wire from the fan to the red wire from the receiver (marked on white tag "LIGHT OUT")
- The black wire from the fan to the black wire from the receiver (marked on white tag "FAN OUT")
- The white wire from the fan to the white wire from the receiver (marked on white tag "COMMON OUT")

6-6. Check each connection to make sure no bare wire or wire strands are visible. Turn the splices upward and push them carefully back through the ceiling plate into the outlet box.

6-7. Spread the wires apart, with the ground wires on one side of the outlet box and the ungrounded wires on the other side of the outlet box.

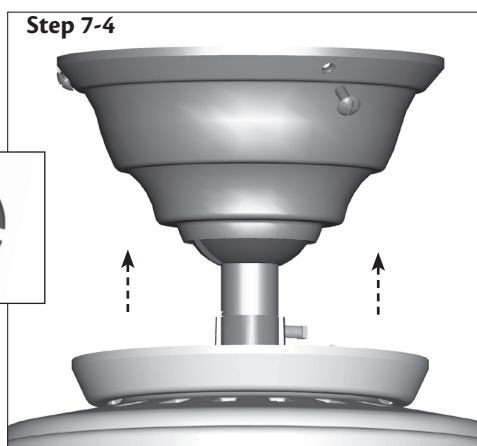
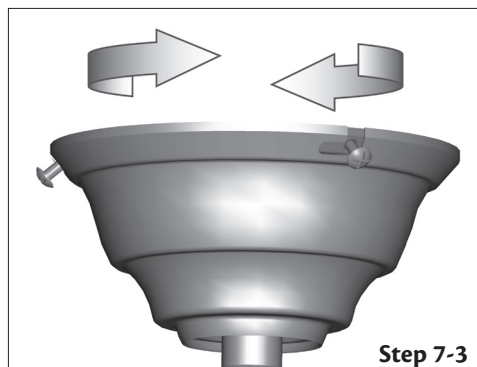
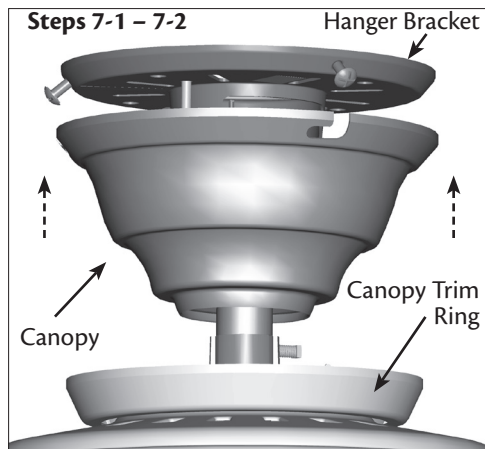
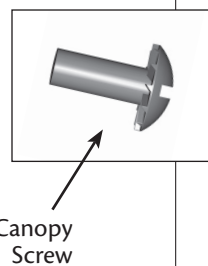
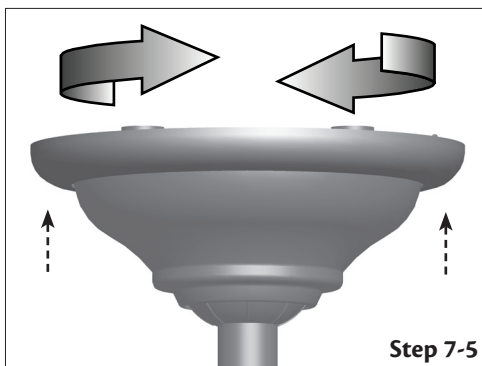
6-8. Position the receiver in the canopy so that the antenna is close to the edge of the ceiling plate for clear reception.

7 • Installing the Canopy and Canopy Trim Ring

- 7-1. Partially install two canopy screws (about 2 full turns) in the hanger bracket.
- 7-2. Raise the canopy over the hanger bracket. Align partially installed screws with key slots in canopy.
- 7-3. Twist canopy clockwise to secure.
- 7-4. Install third & fourth canopy screw in round hole on canopy. Securely tighten all four screws.
- 7-5. Using both hands, push the canopy trim ring up to the top of the canopy.
- 7-6. Twist canopy trim ring clockwise to secure the canopy.

Should you need to remove the canopy trim ring, follow these steps:

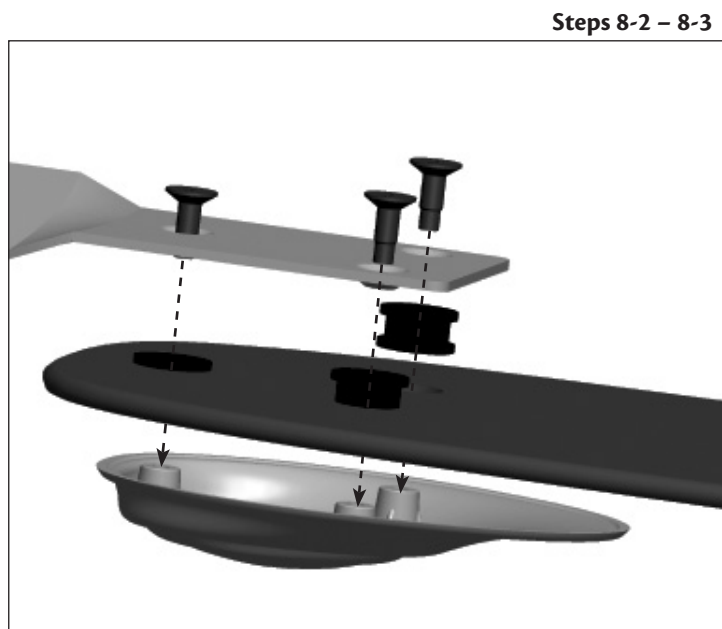
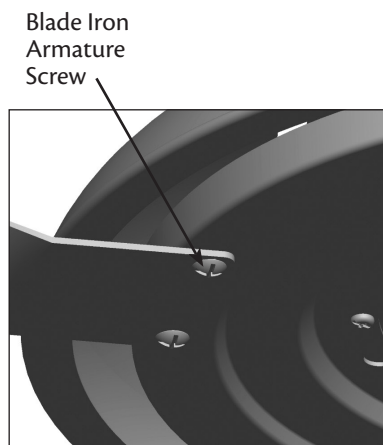
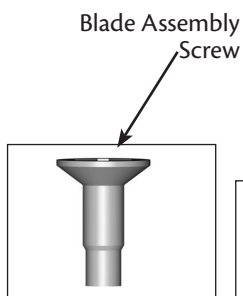
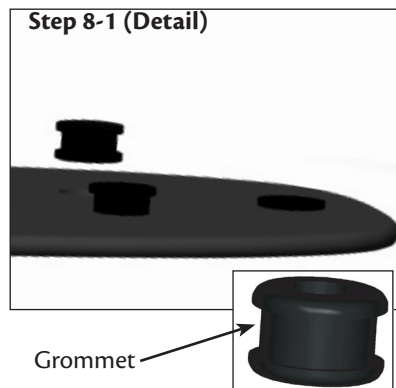
1. Twist canopy trim ring counter clockwise until it releases from canopy.



8 • Assembling the Blades

Hunter fans use several styles of fan blade irons (brackets that hold the blade to the fan).

- 8-1. Install the grommets into the blades by hand.
- 8-2. Place each blade between a blade iron and medallion. Install three blade assembly screws to attach the medallion to the blade iron. Repeat for all blades.
- 8-3. For each blade, insert one blade iron armature screw through the blade iron, and attach lightly to the fan. Insert the second blade iron armature screw, then securely tighten both screws.



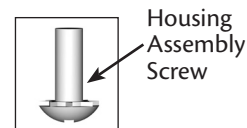
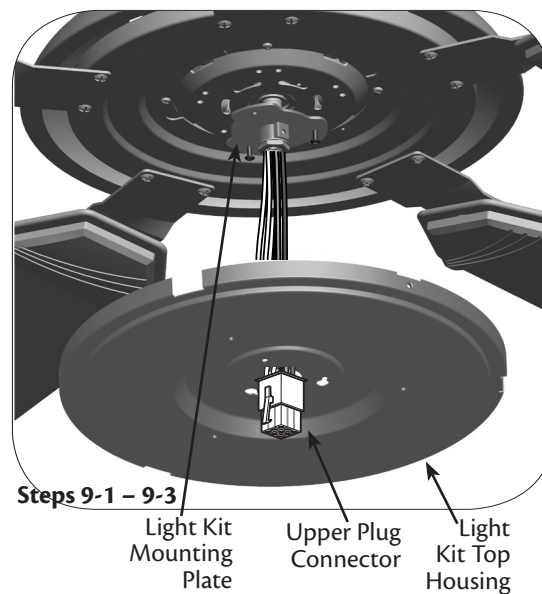
9 • Completing Your Installation With a Light Fixture

Your Hunter fan comes with an integrated light fixture assembly.

▲ WARNING: Use only the light fixture supplied with this fan model.

- 9-1. To attach the light kit top housing, partially install two housing assembly screws into the light kit mounting plate.
- 9-2. Feed the upper plug connector through the center opening of the light kit top housing.
- 9-3. Align the keyhole slots in the housing with the housing assembly screws.
- 9-4. Turn the light kit top housing counterclockwise until the housing assembly screws are firmly situated in the narrow ends of the keyhole slots. Install the remaining screw into the housing. Tighten all three screws firmly.

▲ CAUTION: Make sure the light kit top housing is securely attached to the light kit mounting plate. Failure to properly attach and tighten all three assembly screws could result in the light kit top housing and light fixture falling.

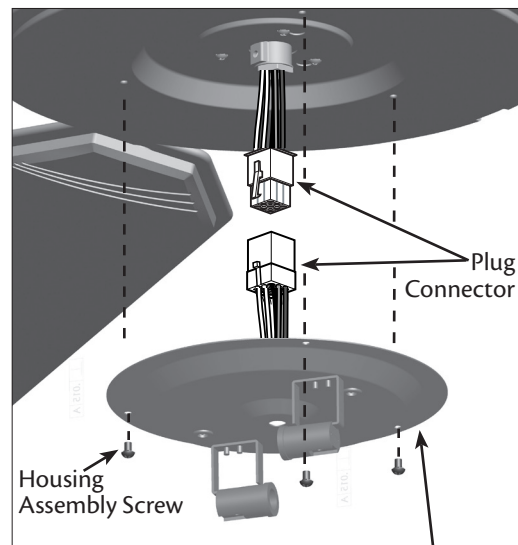


9 • Completing Your Installation With a Light Fixture (Continued)

9-5. To attach the light kit, connect the upper plug connector from the motor to the lower plug connector in the light kit.

Note: Both plug connectors are polarized and will only fit together one way. Make sure the connectors are properly aligned before connecting them. Incorrect connection could cause improper operation and damage to the product.

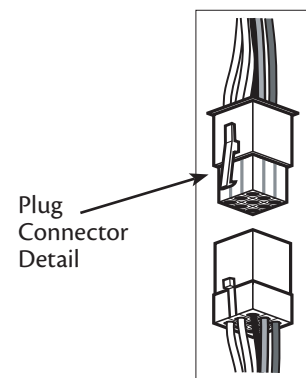
9-6. Place the light kit over the light kit top housing. Align the holes in the light kit top housing with the light kit. Attach the light kit to the light kit top housing with three housing assembly screws. Tighten all three screws firmly.



Steps 9-5 – 9-6

Light Kit

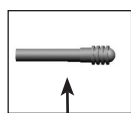
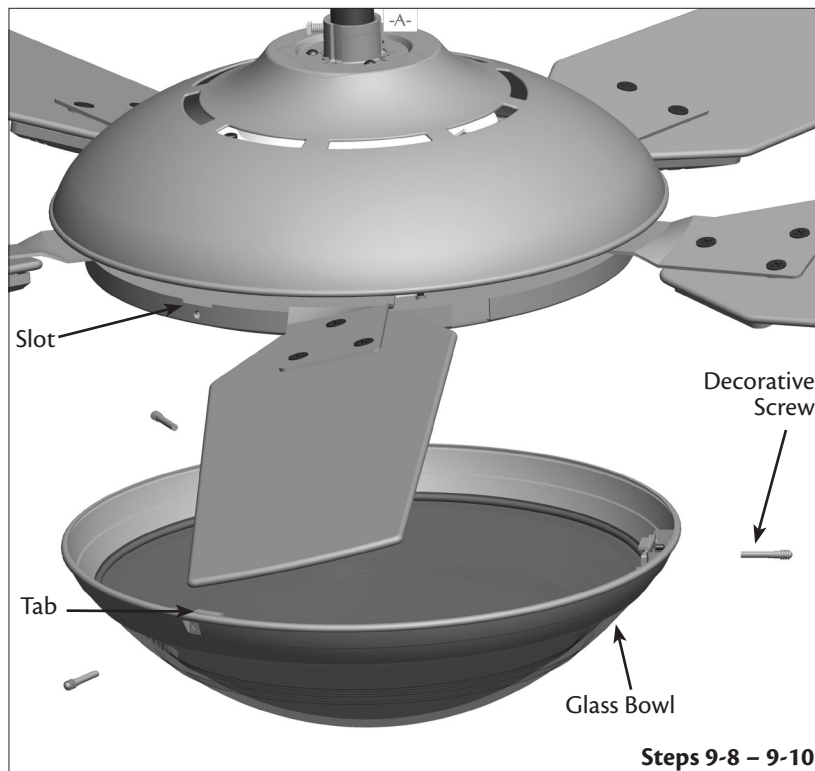
Note: In compliance with U.S. Federal energy regulations, this ceiling fan contains a wattage saver that restricts the light kit to a maximum of 190 Watts. Exceeding that limit or the specifications on the light sockets may result in fire hazard or improper operation. If lights do not appear to be operating properly, see the troubleshooting section



9 • Completing Your Installation With a Light Fixture (Continued)

Installing the Glass Bowl

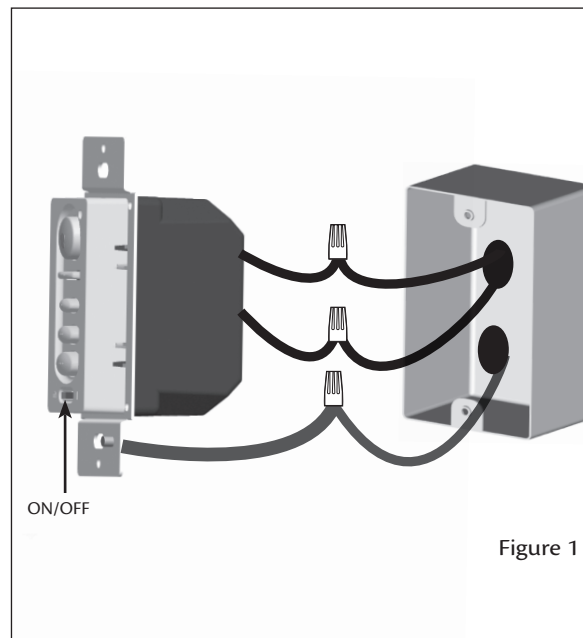
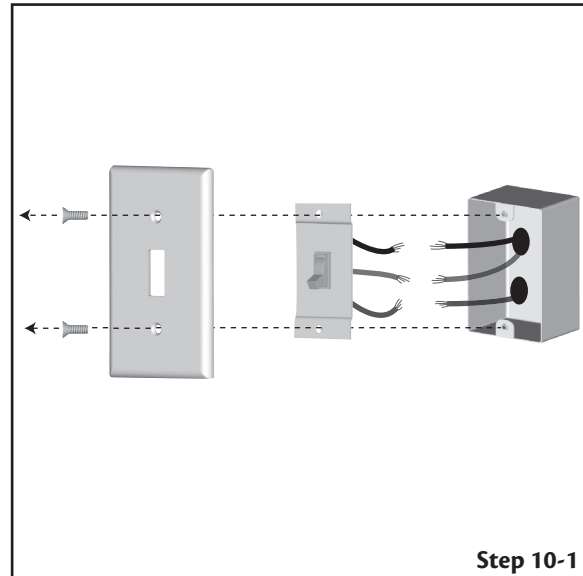
- 9-7. First install B10 candelabra bulbs (60 Watt Maximum) into the sockets.
- 9-8. Lift the glass bowl up to the light kit top housing. Align the three tabs in the glass bowl with the three slots in the light kit top housing.
- 9-9. Rotate the glass bowl until the screw holes in the light kit top housing line up with the screw holes in the light kit.
- 9-10. Secure the glass bowl with three decorative screws.



Decorative Screw

10 • Installing the Wall Control

- 10-1. Disconnect the existing switch and remove it from the electrical box. Set the screws aside for reuse.
- 10-2. Connect each wire from the wall to a lead from the control. Use 2 of the wire connectors supplied to make the connections. Refer to Figure 1.
- 10-3. Connect the ground wire from the control to the earth/ground wire from the wall. Refer to Figure 1.
- 10-4. Gently push the wires and wall control into the electrical box. Attach the control to the switch box with the two screws provided.
- 10-5. Install a rocker-style faceplate (not included) with the screws removed in Step 1.
- 10-6. Restore power at main electrical panel.



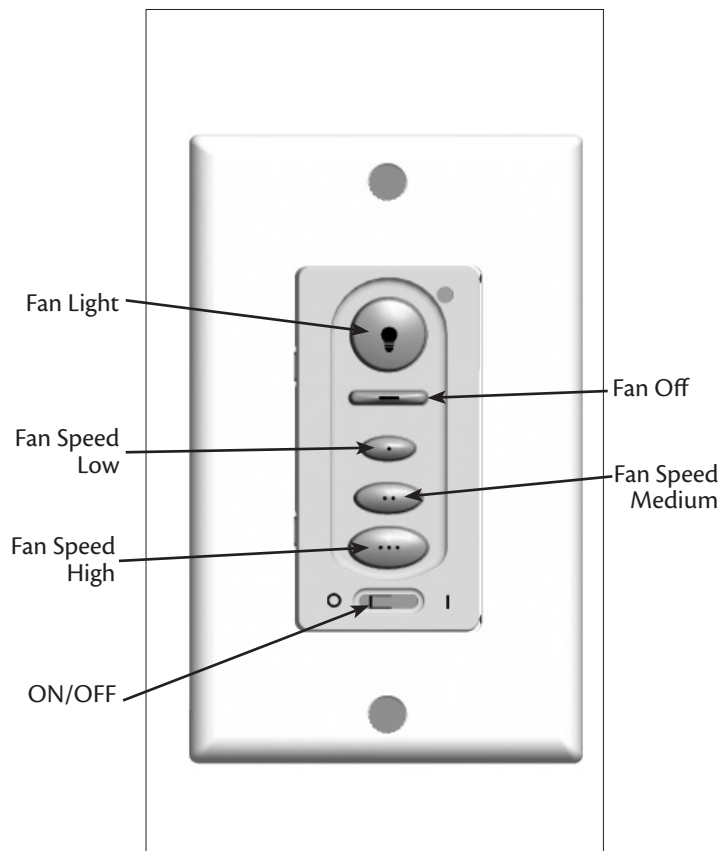
11 • Operating the Remote Control and Mounting the Holder

11-1. The wall control has individual buttons for setting fan speed and light intensity. Refer to the figure on the right.

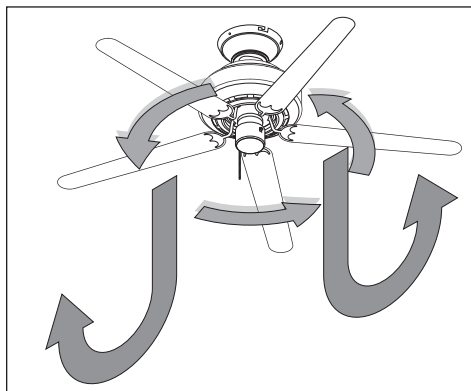
Note: For best operation, start the fan by pressing high, then select your desired speed.

11-2. The light button turns the light. Push the light button again to turn off the light.

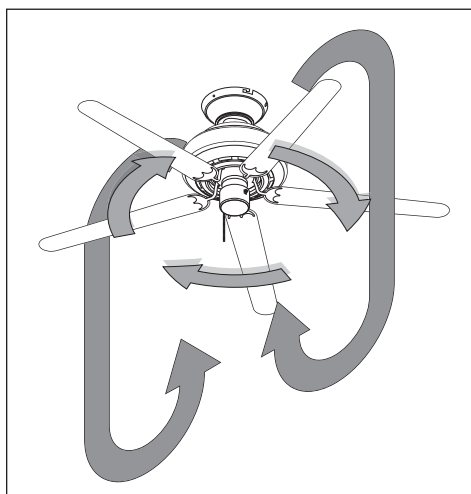
11-3. To operate fan and light, push the on/off switch to the **I** position and press the desired button on the wall control keypad.



12 • Operating and Cleaning Your Ceiling Fan



In warm weather, use downward air flow pattern

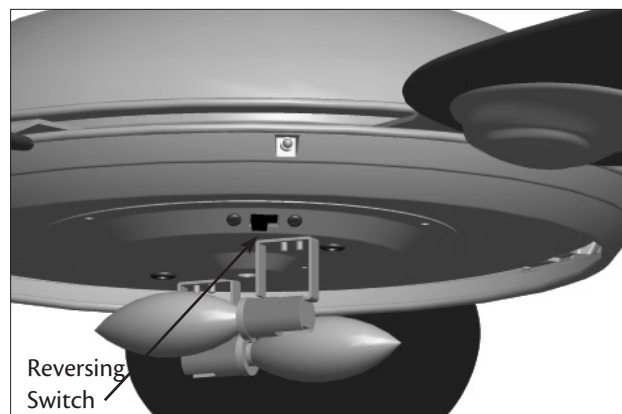


In cold weather, use upward air flow pattern

- 12-1. Ceiling fans work best by blowing air downward (counterclockwise blade rotation) in warm weather to cool the room with a direct breeze. In cold weather, having the fan draw air upward (clockwise blade rotation) will distribute the warmer air trapped at the ceiling around the room without causing a draft.
- 12-2. For cleaning finishes, use a soft brush or lint-free cloth to prevent scratching. A vacuum cleaner brush nozzle can remove heavier dust. Remove surface smudges or accumulated dirt and dust using a mild detergent and a slightly dampened cloth. You may use an artistic agent, but never abrasive cleaning agents as they will damage the finish.
- 12-3. Clean wood finish blades with a furniture polishing cloth. Occasionally, apply a light coat of furniture polish for added protection and beauty. Clean painted and high-gloss blades in the same manner as the fan finish.

To Change Airflow Direction

Turn the fan off and let it come to a complete stop. Press the reversing switch on the fan. (You will need to remove the light kit glass to do so.) Restart fan.



13 • Troubleshooting

Problem: Nothing happens; fan does not move.

1. Turn power on, replace fuse, or reset breaker.
2. Loosen canopy, check all connections according to the wiring the fan section.
3. Check the plug connection in the light fixture.
4. Remove the shipping bumpers.
5. Make sure the receiver and remote are set to the same jumper settings.

Problem: Noisy operation.

1. Tighten the blade assembly screws and blade iron armature screws until snug.
2. Check to see if the blade is cracked. If so, replace all the blades.

Problem: Excessive wobbling.

1. If your fan wobbles when operating, use the enclosed balancing kit and instructions to balance the fan.
2. Tighten all blade iron screws.
3. Turn power off, support fan very carefully, and check that the hanger ball is properly seated.

Problem: Lights dim when turned on or do not turn on

1. Check to make sure wattage of light bulbs installed match the specifications on the light socket.

Problem: If the light on this fan shuts off suddenly.

1. Turn the power to the fan off at the wall switch.
Wait 30 seconds, then resume power to the fan.

If you need parts or service assistance, please call 888-830-1326 (In Canada, call 866-268-1936) or visit us at our Web site at <http://www.hunterfan.com>.

Hunter Fan Company
7130 Goodlett Farms Pkwy. #400
Memphis, Tennessee 38016